

General Information

The BQD and CQD type circuit breakers are 1 inch pole width similar to the BQ, BL and ED type circuit breakers. They are available in 1, 2 or 3 pole configurations, with voltage ratings of 120, 240, 277 and 480/277V AC and interruption ratings up to 65,000 amperes.

Specifications:

1, 2, 3 Poles
 15-100 Amperes, 120, 240, 277, 480Y/277V AC
 50/60 Hz

125, 125/250V DC

Meets or exceeds Federal Specifications
 W-C-375b

1 Pole 120V AC 11a
 1 Pole 277V AC 12c, 13a

2, 3 Poles 240V AC 10b, 11b, 12b, 14b, 15b
 2, 3 Poles 480/277 13b

UL Listed File #E10848
 Conforms to NEMA AB1
 CSA C22.2 #5

Due to their compact size, the BQD/CQD Type circuit breakers are well suited for OEM designed equipment in both light commercial and industrial applications.

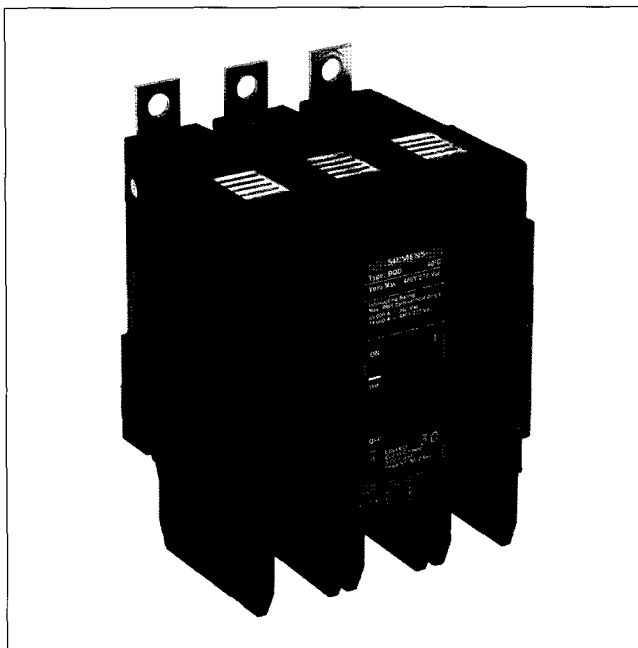
Application:

- 1, 2, 3 Poles 15-100 Amperes are HACR marked.
- 1 Pole 15-20 Amperes SWD marked for fluorescent lighting applications.
- 1 Pole 15-30 Amperes tested and marked HID
- Suitable for reverse feed applications.
- CQD—Independently mounted on customer supplied DIN rail or bolted directly to surface.
- Not suitable for 3 phase delta 480V AC grounded "B" phase applications

Terminal Connectors UL listed for 60/75C CU AL

BQD Load end only CQD Line and Load ends	
15-40 Amperes	#14 - #6 AWG CU #12 - #6 AWG AL
45-100 Amperes	#8 - #1 AWG CU #6 - #1/0 AWG AL

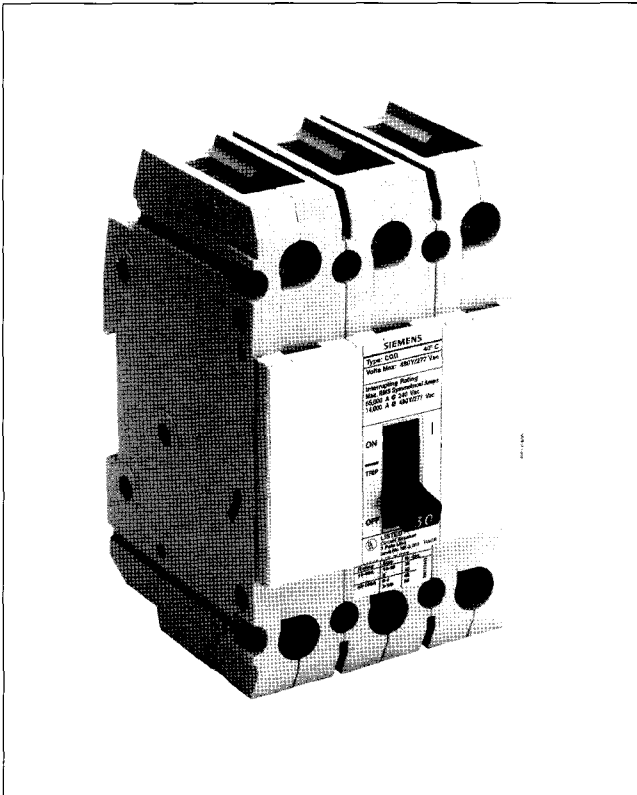
Ordering Information



BQD Catalog Numbers

Maximum Continuous Current Rating @ 40C	1 Pole 120V AC 125V DC Catalog Number	2 Pole 480Y/277V AC 125/250V DC Catalog Number	3 Pole 480Y/277V AC Catalog Number
15	BQD115	BQD215	BQD315
20	BQD120	BQD220	BQD320
25	BQD125	BQD225	BQD325
30	BQD130	BQD230	BQD330
35	BQD135	BQD235	BQD335
40	BQD140	BQD240	BQD340
45	BQD145	BQD245	BQD345
50	BQD150	BQD250	BQD350
60	BQD160	BQD260	BQD360
70	BQD170	BQD270	BQD370
80	BQD180	BQD280	BQD380
90	BQD190	BQD290	BQD390
100	BQD1100	BQD2100	BQD3100

Ordering Information



CQD Catalog Numbers

Maximum Continuous Current Rating @ 40C	1 Pole 120V AC 125V DC Catalog Number	2 Pole 480Y/277V AC 125/250V DC Catalog Number	3 Pole 480Y/277V AC Catalog Number
15	CQD115	CQD215	CQD315
20	CQD120	CQD220	CQD320
25	CQD125	CQD225	CQD325
30	CQD130	CQD230	CQD330
35	CQD135	CQD235	CQD335
40	CQD140	CQD240	CQD340
45	CQD145	CQD245	CQD345
50	CQD150	CQD250	CQD350
60	CQD160	CQD260	CQD360
70	CQD170	CQD270	CQD370
80	CQD180	CQD280	CQD380
90	CQD190	CQD290	CQD390
100	CQD1100	CQD2100	CQD3100

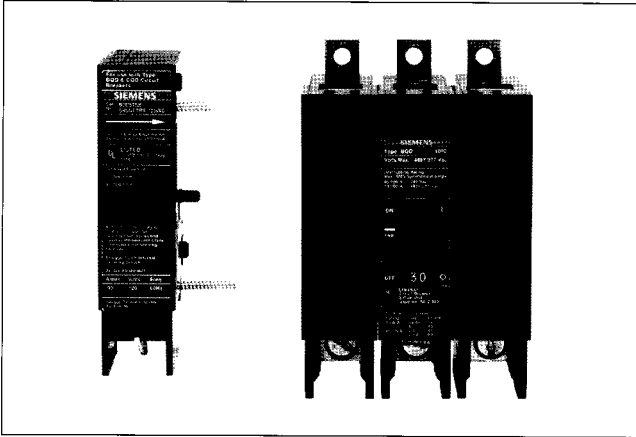
UL Interrupting Ratings

Breaker Type BQD/CQD

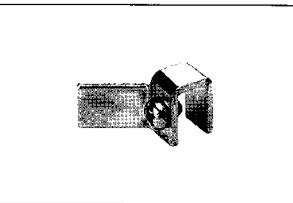
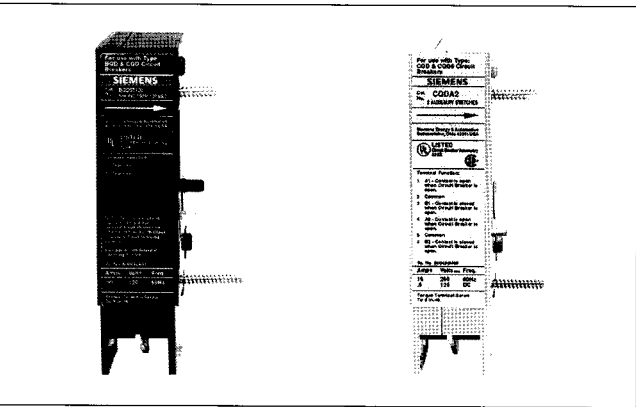
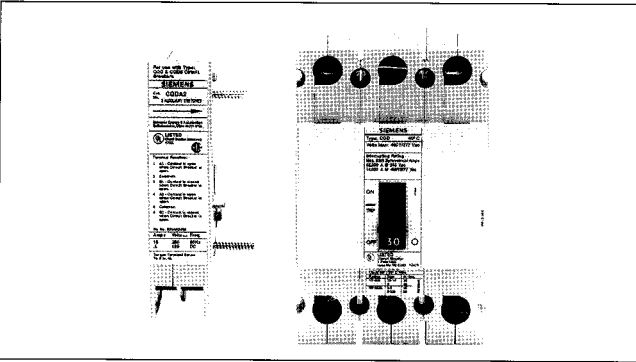
Number of Poles	RMS Symmetrical (kA) UL Air				Interrupting Amperes (kA) DC Voltage	
	AC Voltage				125	125/250
	120	240	277	480Y/277		
1	65	—	14	—	14	—
2	—	65	—	14	—	14
3	—	65	—	14	—	—

Accessories

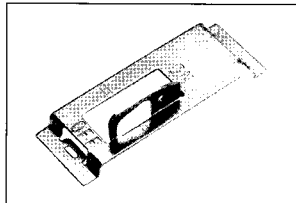
BQD



CQD



Handle Padlocking Device
BQDHBD



Handle Blocking Device
BQDPLD

BQD Shunt Trip/Undervoltage Devices

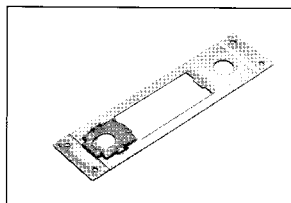
Control Voltage		Customer Supply		Monitored Voltage	
V AC	V DC	Shunt Trip Catalog Number	Current Draw	Undervoltage Catalog Number	Current Draw
120		BQDST120	.09A	BQDUV120	
240		BQDST240	.50A	BQDUV240	
277		BQDST277	.55A	BQDUV277	
480		BQDST480	.45A	BQDUV480	
600		BQDST600	.50A		
	12	BQDST12	1.20A	BQDUV12	
	24	BQDST24	.80A	BQDUV24	
	48	BQDST48	.80A	BQDUV48	
	125	BQDST125	.35A	BQDUV125	

CQD Shunt Trip/Undervoltage Devices

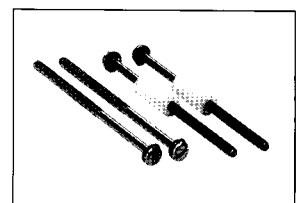
Control Voltage		Shunt Trip Catalog Number	Current Draw	Undervoltage Catalog Number	Current Draw
V AC	V DC				
120		CQDST120	.09A	CQDUV120	
240		CQDST240	.50A	CQDUV240	
277		CQDST277	.55A	CQDUV277	
480		CQDST480	.45A	CQDUV480	
600		CQDST600	.50A		
	12	CQDST12	1.20A	CQDUV12	
	24	CQDST24	.80A	CQDUV24	
	48	CQDST48	.80A	CQDUV48	
	125	CQDST125	.35A	CQDUV125	

BQD/CQD Auxiliary Switch/Bell Alarm Devices

	Aux. Switch	Max. Current Rating	Alarm Switch	Max. Current Rating
BQD	1a-1b Contact BQDA1 2a-2b Contacts BQDA2	15A @ 250V AC .25A @ 125V DC	1a-1b Contact BQDBA	15A @ 250V AC .25A @ 125V DC
CQD	1a-1b Contact CQDA1 2a-2b Contacts CQDA2		1a-1b Contact CQDBA	



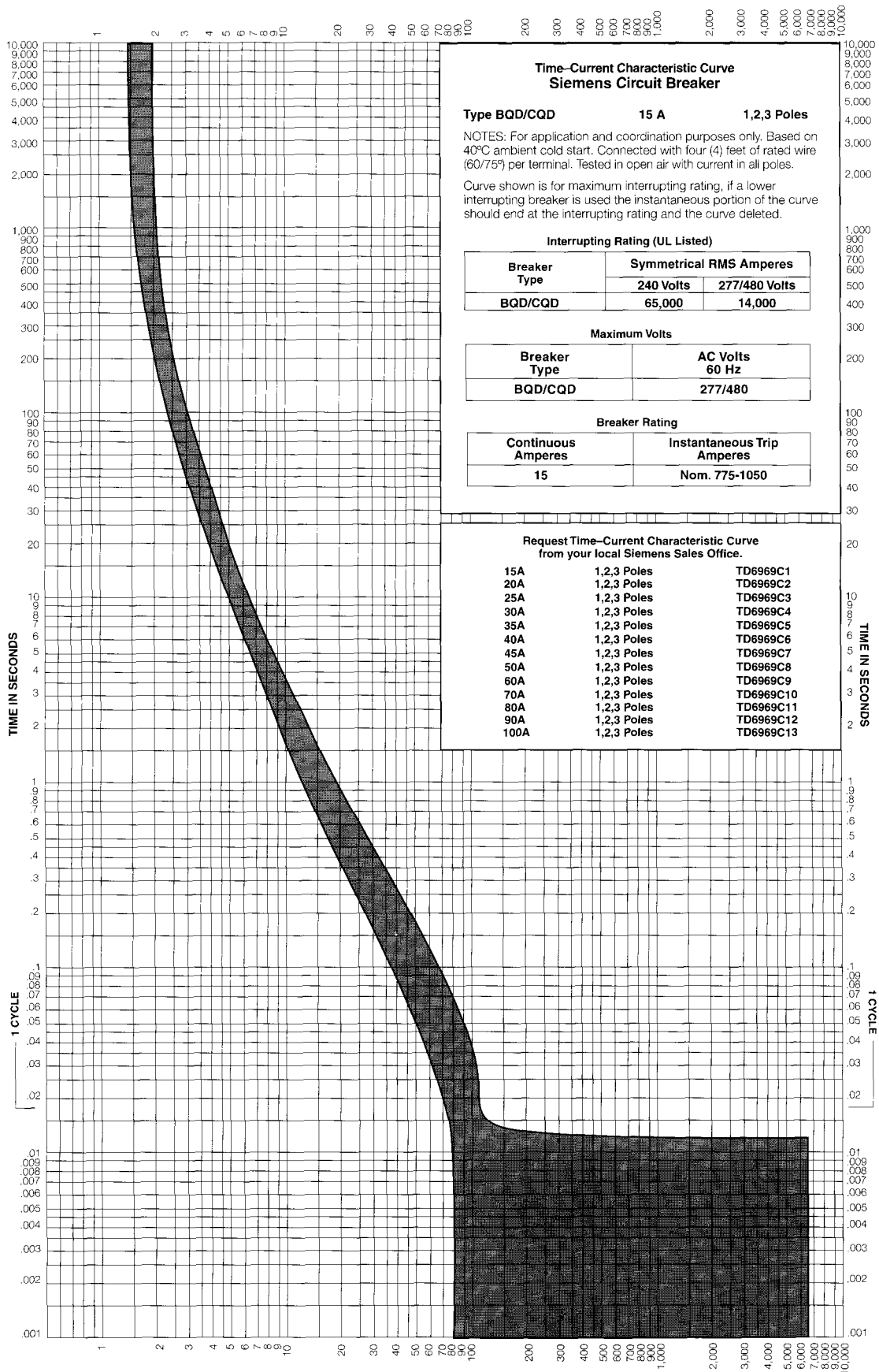
Face Plate Mounting
1 Pole CQDFMB1
2 Pole CQDFMB2
3 Pole CQDFMB3



Mounting Hardware Kit
CQDSMK

Consult Siemens Literature

BQD/CQD Time Current Curve – Example



Time-Current Characteristic Curve Siemens Circuit Breaker

Type BQD/CQD 15 A 1,2,3 Poles

NOTES: For application and coordination purposes only. Based on 40°C ambient cold start. Connected with four (4) feet of rated wire (60/75) per terminal. Tested in open air with current in all poles.

Curve shown is for maximum interrupting rating, if a lower interrupting breaker is used the instantaneous portion of the curve should end at the interrupting rating and the curve deleted.

Interrupting Rating (UL Listed)

Breaker Type	Symmetrical RMS Amperes	
	240 Volts	277/480 Volts
BQD/CQD	65,000	14,000

Maximum Volts

Breaker Type	AC Volts 60 Hz
BQD/CQD	277/480

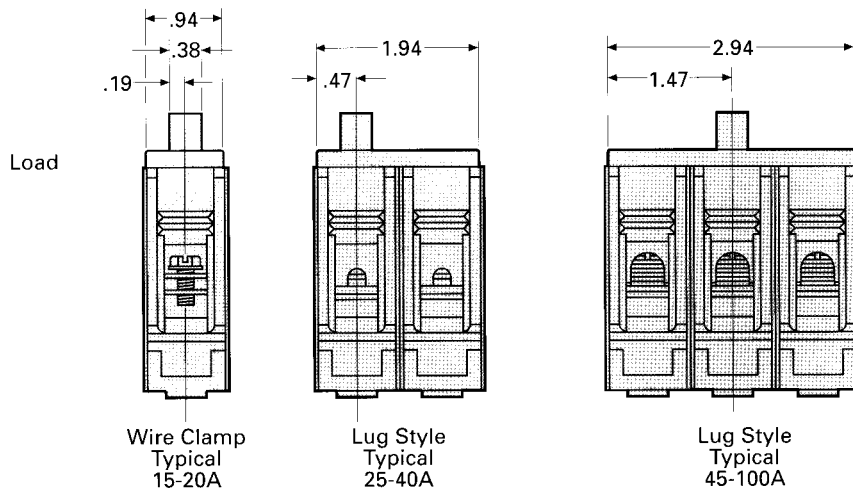
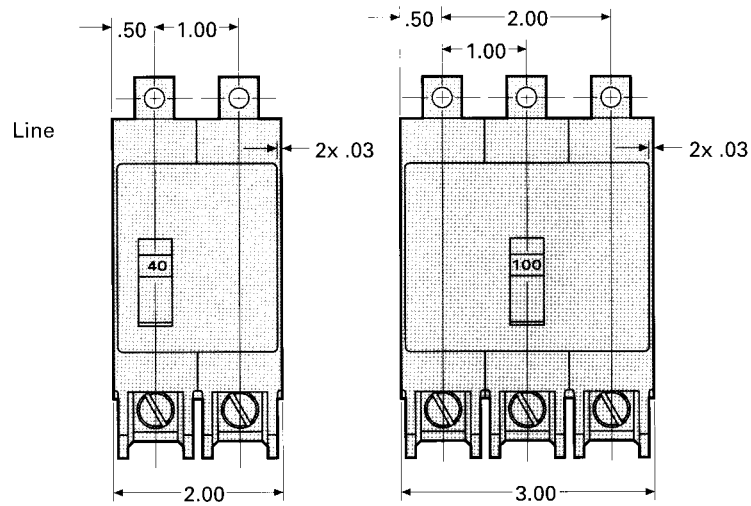
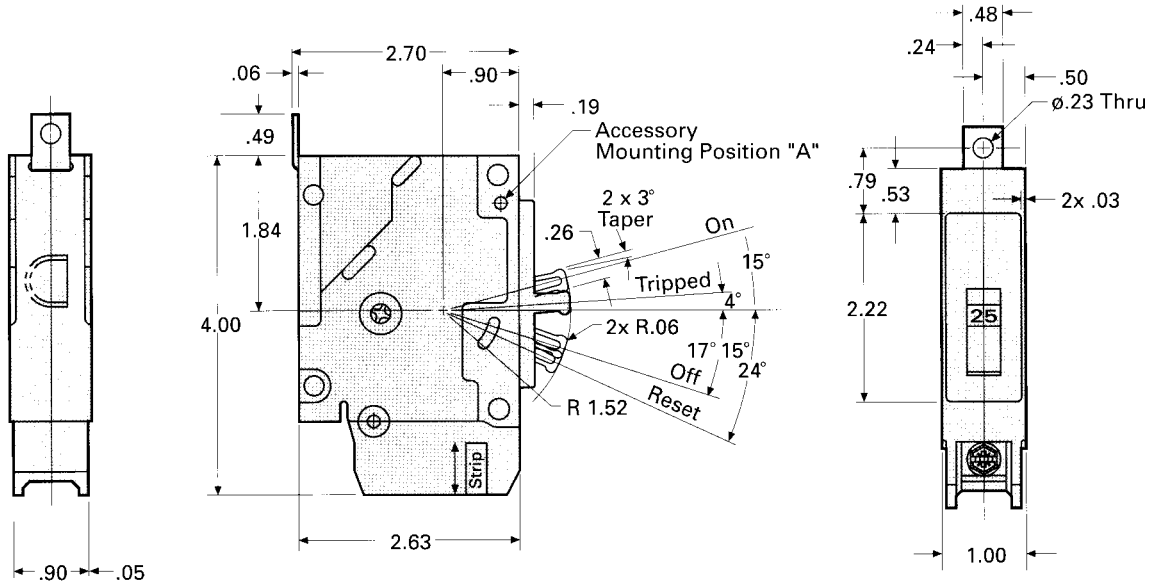
Breaker Rating

Continuous Amperes	Instantaneous Trip Amperes
15	Nom. 775-1050

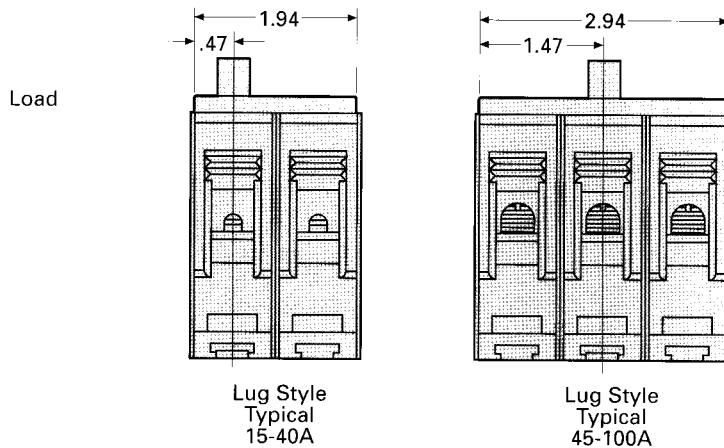
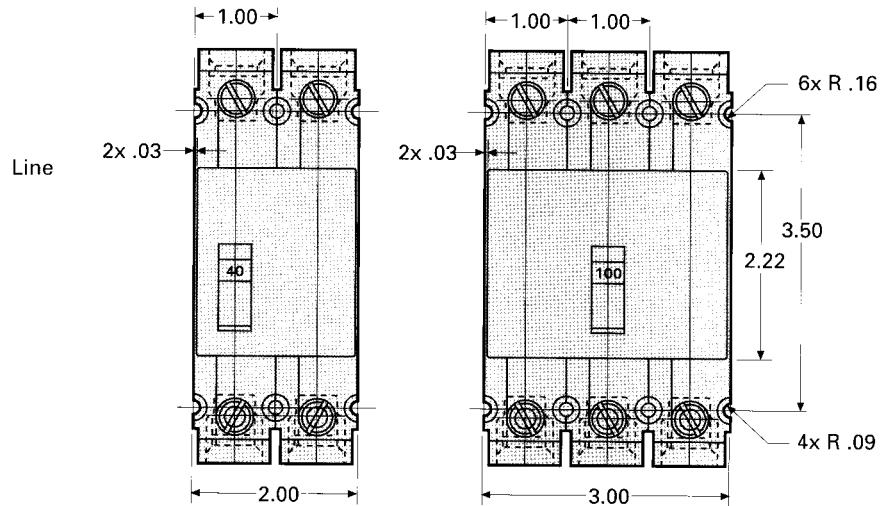
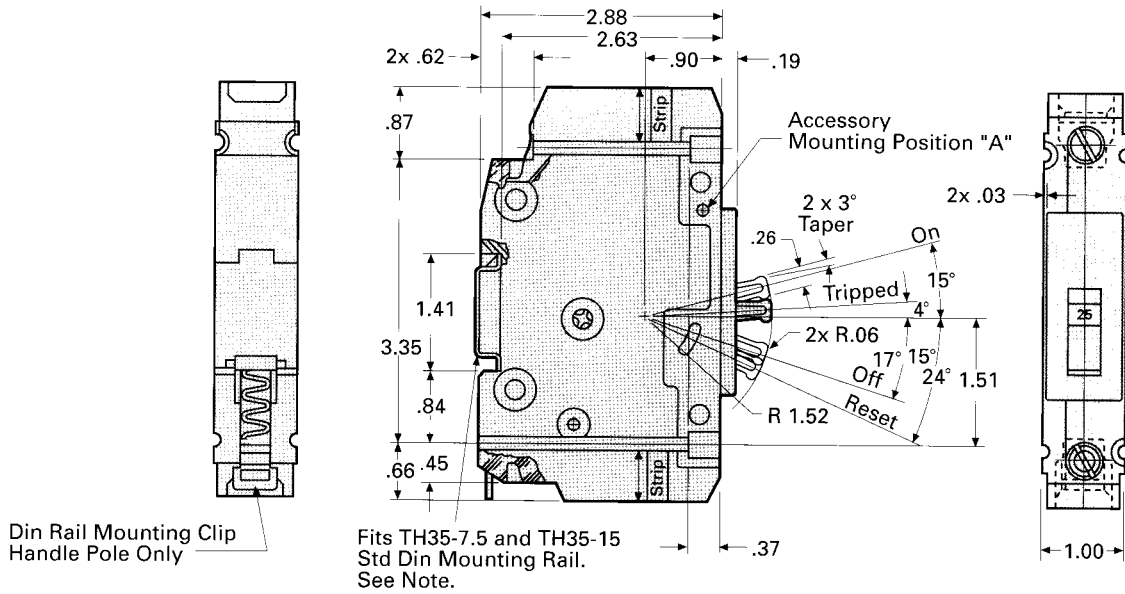
Request Time-Current Characteristic Curve from your local Siemens Sales Office.

15A	1,2,3 Poles	TD6969C1
20A	1,2,3 Poles	TD6969C2
25A	1,2,3 Poles	TD6969C3
30A	1,2,3 Poles	TD6969C4
35A	1,2,3 Poles	TD6969C5
40A	1,2,3 Poles	TD6969C6
45A	1,2,3 Poles	TD6969C7
50A	1,2,3 Poles	TD6969C8
60A	1,2,3 Poles	TD6969C9
70A	1,2,3 Poles	TD6969C10
80A	1,2,3 Poles	TD6969C11
90A	1,2,3 Poles	TD6969C12
100A	1,2,3 Poles	TD6969C13

BQD Outline Drawings



CQD Outline Drawings



Note: Refer to IEC Publication 715 for DIN Rail dimensional standards.

Siemens Energy & Automation, Inc.
Power Distribution & Controls Division
3333 Old Milton Parkway
Alpharetta, GA 30005

For Nearest Sales Office
1-800-964-4114 or 800-241-4453
[www.sea.siemens.com/
sales/salesoffices.html](http://www.sea.siemens.com/sales/salesoffices.html)

For Product Information
www.sea.siemens.com/power/
